

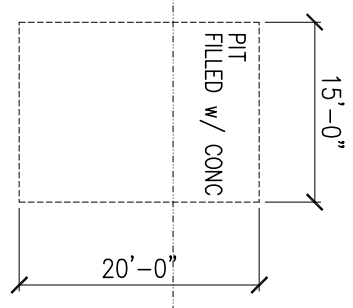
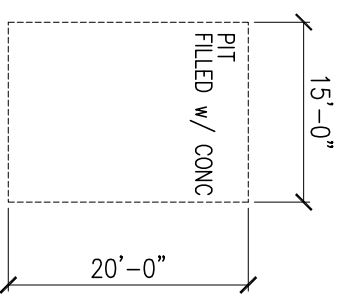
INTERCONNECTING DOOR
OPEN TO MAX. 37'-0" WIDE

105'-0"

127'-0"

STAGE 2

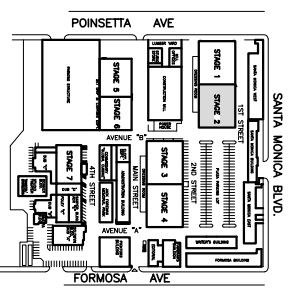
127'-0" X 105'-0"
13,335 SQ. FT.
GRID HEIGHT = 35'-0"
(SLAB ON GRADE)



- LEGEND:
- FIRE EXTINGUISHER
 - FIRE HOSE
 - WET/DRY STAND PIPE
 - FIRE LANE

STAGE 2

SCALE 1/16" = 1'-0"



the lot
1041 North Formosa Avenue
West Hollywood California
90046
T (323) 850-3184 F (323) 850-3190